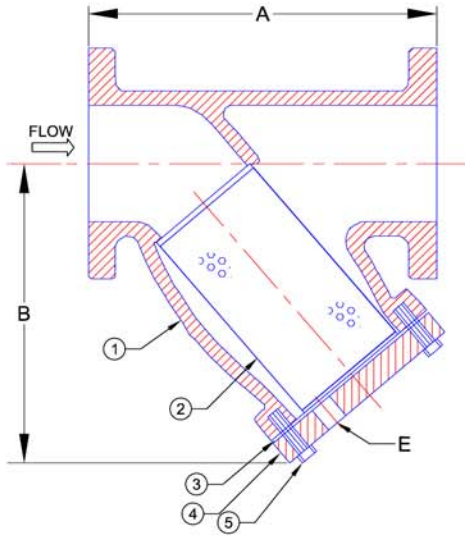


STAYFLOW STRAINERS

YIF1 & YIF2

Y-STRAINER, 125# & 250# FLANGED

Cast Iron Steel (ASTM A-126, Class B)



STANDARD SCREENS

| SIZE (in) | SCREEN PERFORATION | | | |
|--------------|--------------------|-----------|--------|-----------|
| | STEAM | | LIQUID | |
| | (in) | OPEN AREA | (in) | OPEN AREA |
| 2 TO 3 | 3/64 | 33% | 3/64 | 33% |
| 4 TO 6 | 3/64 | 33% | 1/8 | 43% |
| 8 TO 16 | 1/16 | 30% | 1/8 | 43% |

The default standard screens are for liquid service unless specified. Many other options are available.

PARTS LIST

| ITEM | DESCRIPTION | MATERIAL |
|------|-----------------|---------------------------------|
| 1 | BODY | CAST IRON (ASTMA A 126 CLASS B) |
| 2 | SCREEN (BASKET) | STAINLESS STEEL (304) |
| 3 | GASKET | FIBER |
| 4 | COVER | CAST IRON (ASTMA A 126 CLASS B) |
| 5 | HEX HEAD CAP | STEEL |

The flange for the YIF1 is flat face, and the YIF2 is raised face.



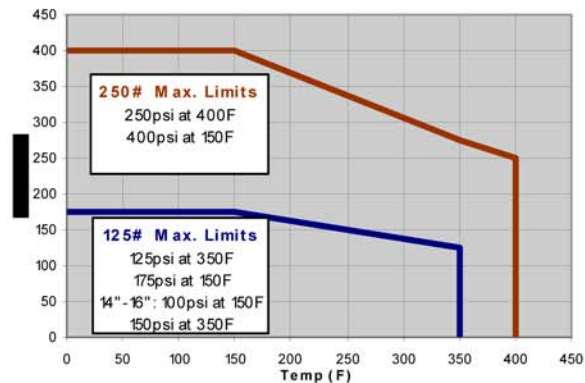
DIMENSIONS & WEIGHT

| SIZE (in) | A | | B | | E | | WT (lbs) | |
|--------------|----------|----------|---------|---------|-------|-------|----------|------|
| | 125# | 250# | 125# | 250# | 125# | 250# | 125# | 250# |
| 2 | 9-7/8 | 9-7/8 | 6 3/16 | 6 3/16 | 1/2 | 1/2 | 22 | 33 |
| 2-1/2 | 11-1/4 | 11-1/4 | 7 5/8 | 7 5/8 | 1 | 1 | 36 | 49 |
| 3 | 12-1/2 | 12-1/2 | 8 1/4 | 8 1/4 | 1 | 1 | 44 | 57 |
| 4 | 14-7/8 | 14-7/8 | 10 1/16 | 10 1/16 | 1-1/4 | 1-1/4 | 68 | 108 |
| 5 | 17 15/16 | 17 15/16 | 12 1/2 | 12 1/2 | 1-1/4 | 1-1/4 | 117 | 157 |
| 6 | 20 3/8 | 20 3/8 | 14 5/16 | 14 5/16 | 1-1/2 | 1-1/2 | 147 | 215 |
| 8 | 24 | 24 | 17 3/8 | 17 3/8 | 1-1/2 | 1-1/2 | 246 | 316 |
| 10 | 29 1/2 | 29 1/2 | 20 7/8 | 20 7/8 | 2 | 2 | 425 | 525 |
| 12 | 33 3/4 | 33 3/4 | 23 9/16 | 23 9/16 | 2 | 2 | 568 | 704 |
| 14 | 37 1/4 | | 29 | | | 2 | 790 | |
| 16 | 42-3/8 | | 33 | | | 2 | 1035 | |

FLOW COEFFICIENTS

| SIZE (in) | Cv | SIZE (in) | Cv |
|--------------|-----|--------------|------|
| 2 | 62 | 8 | 942 |
| 2-1/2 | 98 | 10 | 1572 |
| 3 | 155 | 12 | 2261 |
| 4 | 269 | 14 | 3479 |
| 5 | 364 | 16 | 5060 |
| 6 | 942 | | |

PRESSURE VS. TEMPERATURE



IMPORTED