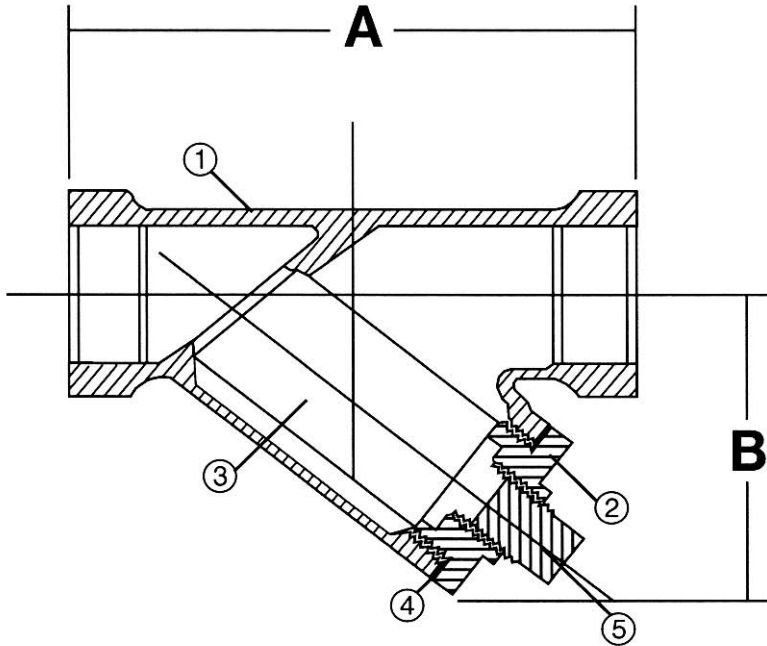


**MODEL YBS  
Y-TYPE 150#  
BRONZE SWEAT STRAINER**



LIST OF MATERIALS		
ITEM	PART NAME	MATERIAL
1	BODY	BRONZE C84400
2	CAP	BRONZE C84400
3	SCREEN	TYPE 304 S.S.
4	GASKET	NON-ASBESTOS
5	PLUG	BRASS

STANDARD SCREENS			
SERVICE	SIZES	SCREEN OPENINGS	SCREEN MATERIAL
LIQUID	1/4" - 2"	20 MESH	STAINLESS STEEL

**OPERATING TEMPERATURE & PRESSURE:**  
Water, Oil, Gas (non-shock)..... 200 psi at 150° F

Qty.	Size		DIMENSIONAL DATA (INCHES)				Notes
	Inch	MM	A Sweat Ends	B Height	Lbs. Weight	Size of Blowoff (NPT)	
	1/4"	6	3-1/8"	2-1/4"	.75	3/8"	
	3/8	9	3-1/8"	2-1/4"	.75	3/8"	
	1/2	15	3-3/8"	2-1/4"	.75	3/8"	
	3/4	20	4-1/4"	2-5/8"	1.0	3/8"	
	1	25	5	3-3/16"	2.2	1/2"	
	1-1/4	32	5-7/8"	3-3/4"	2.75	1/2"	
	1-1/2	40	6-7/8"	4-1/8"	3.25	1/2"	
	2	50	8-5/8"	5-1/8"	5.75	1/2"	

CUSTOMER \_\_\_\_\_  
PROJECT \_\_\_\_\_  
ENGINEER \_\_\_\_\_  
ARCHITECT \_\_\_\_\_  
PRO OR P.O. NO. \_\_\_\_\_



**STAYFLOW  
STRAINERS**

DESCRIPTION:

**YBS BRONZE Y STRAINER**

DRAWN BY:

DATE:

DRAWING:

**YBS REV A**