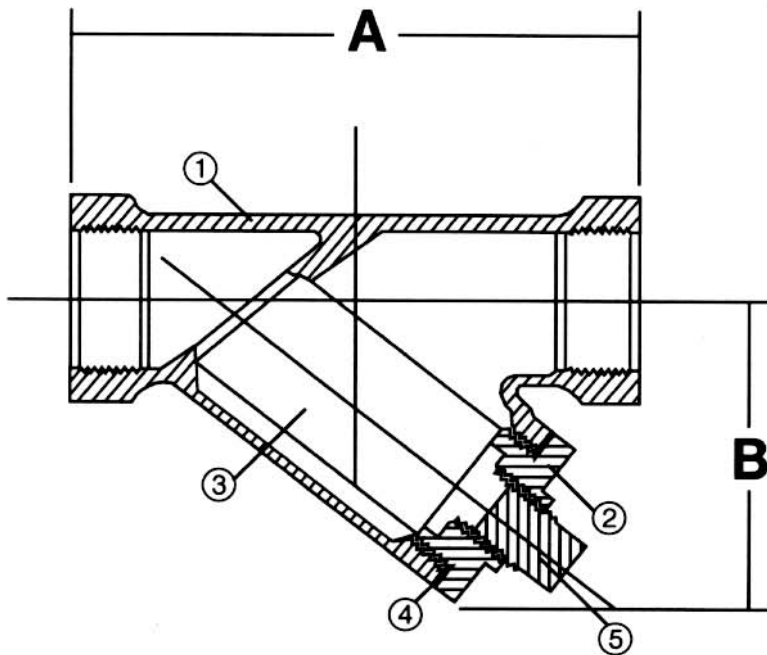


**MODEL YBT
Y-TYPE 150#
BRONZE THREADED STRAINER**



LIST OF MATERIALS		
ITEM	PART NAME	MATERIAL
1	BODY	BRONZE C84400
2	CAP	BRONZE
3	SCREEN	TYPE 304 S.S.
4	GASKET	NON-ASBESTOS
5	PLUG	BRASS

STANDARD SCREENS			
SERVICE	SIZES	SCREEN OPENINGS	SCREEN MATERIAL
STEAM	1/4" - 2" 2-1/2" & 3"	20 MESH .045 PERF.	STAINLESS STEEL
LIQUID	1/4" - 2" 2-1/2" & 3"	20 MESH .045 PERF.	STAINLESS STEEL

OPERATING TEMPERATURE & PRESSURE:
 Steam 150 psi at 350° F
 Water, Oil, Gas 200 psi at 150° F

DIMENSIONAL DATA (INCHES)							
Qty.	Size		A Threaded Ends	B Height	Lbs. Weight	Size of Blowoff (NPT)	Notes
	Inch	MM					
	1/2"	15	3-3/16"	2-3/16"	.75	3/8"	
	3/4	20	4	2-3/4	1.25	3/8	
	1	25	4-1/2	3	1.75	1/2	
	1-1/4	32	5-5/16	3-1/2	2.75	1/2	
	1-1/2	40	6-1/4	3-7/8	3.50	1/2	
	2	50	7-1/2	5-7/16	5.75	1/2	
	2-1/2	65	9	5-7/8	9	1/2	
	3	80	10-3/16	6-5/16	13.25	1/2	

CUSTOMER _____
 PROJECT _____
 ENGINEER _____
 ARCHITECT _____
 PRO OR P.O. NO. _____



**STAYFLOW
STRAINERS**

DESCRIPTION:

YBT BRONZE Y STRAINER

DRAWN BY:

DATE:

DRAWING:
YBT REV A