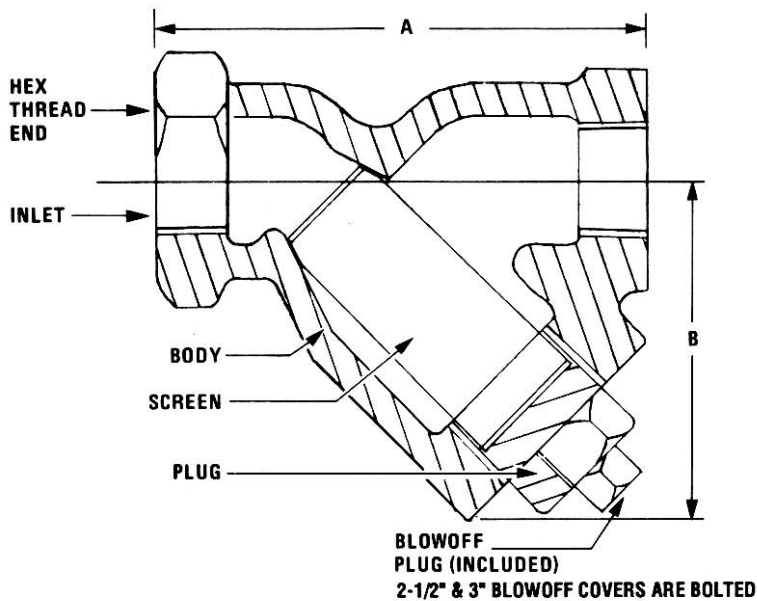


MODEL YIT Y-TYPE 250# SCREWED STRAINER



LIST OF MATERIALS

NAME	MATERIAL
BODY	CAST IRON ASTM A126 CLASS B
SCREEN	T304 S/S
GASKET	2-1/2 & 3" NON-ASBESTOS
PLUG/COVER	ASTM A126 CLASS B

STANDARD SCREENS:

Service	Connections & Sizes	Screen Openings	Screen Material
Liquid/Steam	Screwed 1/4" thru 2"	20 mesh	Stainless Steel
Liquid/Steam	Screwed 2-1/2" & 3"	.045 perf	Stainless Steel

OPERATING PRESSURES AND TEMPERATURES:


Steam 250 psf at 406° F
 Water, Oil, Gas 400 psf at 150° F

DIMENSIONAL DATA:

Quantity	Size	A	B*	Size Blowoff NPT	Ship Weight Lbs.	Screen Area In ²	Notes
	1/4	2-5/8	2	1/4	1-1/4	3.0	
	3/8	2-5/8	2	1/4	1-1/4	3.0	
	1/2	3-7/16	2-1/2	3/8	1-1/2	5.4	
	3/4	4	2-3/4	1/2	2-1/2	8.7	
	1	4-5/8	3-1/4	1/2	4-1/2	11.9	
	1-1/4	5-3/8	4	3/4	6-1/2	16.2	
	1-1/2	6	4-1/2	3/4	8-3/4	23.2	
	2	7-1/2	5-3/8	1	12-1/2	35	
	2-1/2	9	7-3/16	1-1/4	24	54	
	3	10	7-7/8	1-1/4	30	73	

*Add 1/4 to 1/2 inch for Blowoff Plug

NOTE: Dimensions shown are subject to change. Contact factory for certified prints (exact dimensions) when required.

CUSTOMER _____ PROJECT _____ ENGINEER _____ ARCHITECT _____ PRO OR P.O. NO. _____	 STAYFLOW STRAINERS		
	DESCRIPTION: YIT IRON Y STRAINER		
	DRAWN BY : _____	DATE: _____	DRAWING NO: YIT REV A