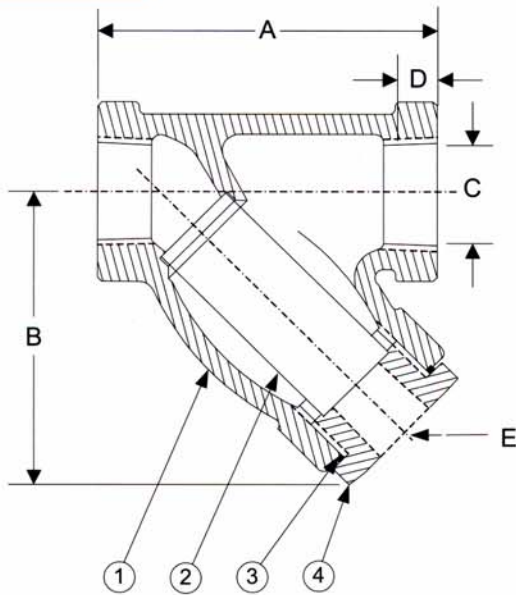


YST1 and YSS1

**Y-Strainer, 600 lb. Threaded & Socket Weld
Cast 316 Stainless Steel (ASTM A 351, Grade CF8M)**



PARTS LIST		
ITEM	DESCRIPTION	MATERIAL
1	BODY	CAST STAINLESS STEEL (ASTM A 351, GRADE CF8M)
2	SCREEN	STAINLESS STEEL (304)
3	GASKET	SPIRAL WOUND STAINLESS STEEL (304)
4	CAP	CAST STAINLESS STEEL (ASTM A 351, GRADE CF8M)

Optional: Blow-off Plug, Stainless Steel (304)

STANDARD SCREENS SUPPLIED

SIZE		SCREEN GAGE	SCREEN PERFORATION					
in	mm		FOR STEAM		FOR LIQUID		OPEN AREA	
			in	mm	AREA	in		mm
1/4 to 3	8 to 80	22	3/64	1.2	33%	1/16	1.6	30%

Standard screens supplied are for **steam service**, unless otherwise specified.

Options: Other perforations, meshes, and screen materials are available.

SIZE		DIMENSIONS										WEIGHTS	
		A		B		C		D		E			
in	mm	in	mm	in	mm	in	mm	in	mm	in	mm	lbs	kgs
1/4	8	2-15/16	75	2-7/16	62	.555	14	3/8	10	1/4	8	3	1
3/8	10	2-15/16	75	2-7/16	62	.690	18	3/8	10	1/4	8	3	1
1/2	15	2-15/16	75	2-7/16	62	.855	22	3/8	10	1/4	8	3	1
3/4	20	3-11/16	94	3	76	1.065	27	1/2	13	3/8	10	5	2
1	25	4-9/16	116	4-5/16	110	1.330	34	1/2	13	3/8	10	6	3
1-1/4	32	4-15/16	125	4-3/16	106	1.675	43	1/2	13	3/4	20	8	4
1-1/2	40	5-9/16	141	4-11/16	119	1.915	49	1/2	13	3/4	20	10	5
2	50	6-15/16	176	6-1/4	159	2.406	61	5/8	16	1	25	16	7
2-1/2	65	12	305	9-3/8	238	2.906	74	5/8	16	1-1/4	32	43	20
3	80	12	305	9-3/8	238	3.535	90	5/8	16	1-1/4	32	43	20

Certified dimensional drawings are available upon request.

† This table reflects only the nearest metric equivalents.

FLOW COEFFICIENTS

Size	C _v	Size	C _v	Size	C _v
1/4"	9.5	1"	30	2-1/2"	129.7
3/8"	9.5	1-1/4"	44.9	3"	161.3
1/2"	9.5	1-1/2"	61		
3/4"	18.7	2"	98		

TOTAL SCREEN AREA

Size	(in ²)	Size	(in ²)	Size	(in ²)
1/4"	2.75	1"	10.08	2-1/2"	78.14
3/8"	2.75	1-1/4"	12.79	3"	78.14
1/2"	2.75	1-1/2"	16.33		
3/4"	4.71	2"	27.04		

*See DETERMINING RATIOS on page S5 of the Strainer Information Section for calculating NET FREE AREA of the screen to inside pipe area.

PRESSURE vs. TEMPERATURE CHART

600# Threaded & Socket Weld Cast 316 Stainless Steel (ASTM A 351, Grade CF8M)

