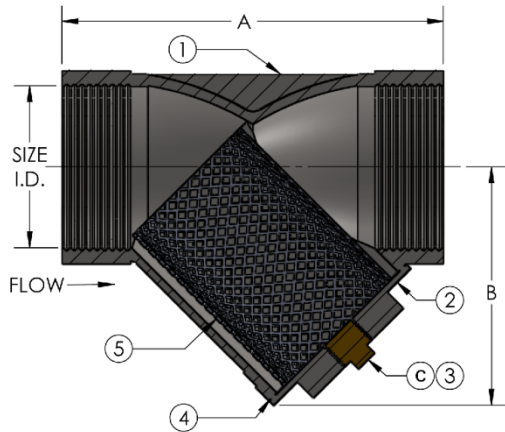


STAYFLOW STRAINERS

YST0 Wye Strainer—304 Stainless Steel 150# Threaded Strainers



LEAD FREE

The wetted surfaces of the YST0 contains less than 0.25% lead by weight which complies with state codes and standards (where applicable) that require piping with a reduced lead content.

BILL OF MATERIALS

ITEM	DESCRIPTION	MATERIAL
1	Body	304 Stainless Steel
2	Cap	304 Stainless Steel
3	Blow Off Plug	304 Stainless Steel
4	Gasket	PTFE
5	Screen	304 Stainless Steel

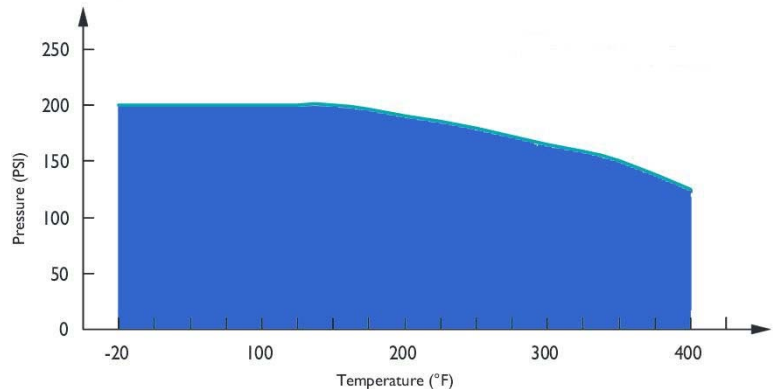
PRESSURE RATING (psig) ANSI CLASS 150

W.O.G. NON-SHOCK	MAX LIQ.	STEAM	SEAL - MAX (F)	BODY - MAX (F)
200 @ 150 F	200 @ 150 F	N R	250 F	450 F

DEFAULT SCREEN SIZE (in)

Size	Liquid	Open Area	Steam
1/2 - 2	20 MESH	49%	N R

PRESSURE - TEMPERATURE RATINGS



DIMENSIONS (in) / PERFORMANCE

SIZE	A	B	C	Cv	Wt. (lb)
1/2	2-1/4	1-1/2	1/4	8	0.4
3/4	3	1-7/8	3/8	15	0.6
1	3-3/8	2-1/8	3/8	22	1
1-1/4	4	2-1/2	3/8	38	1.5
1-1/2	4-5/8	3	1/2	42	2.3
2	5-3/8	3-3/8	1/2	70	3.5