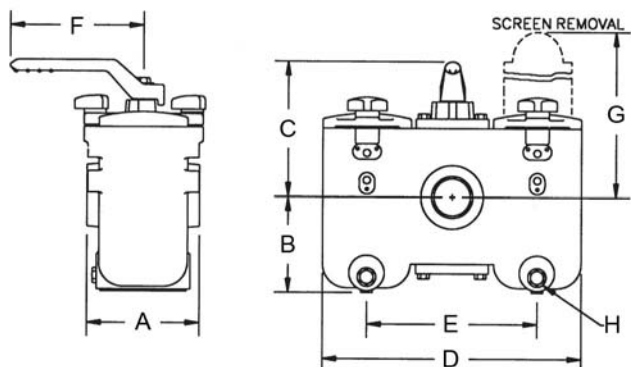


# STAYFLOW STRAINERS

## DCT Duplex Carbon Steel Threaded Strainers



### PARTS LIST

| ITEM | DESCRIPTION    | MATERIAL                            |
|------|----------------|-------------------------------------|
| 1    | BODY           | CARBON STEEL (ASTM A 216 GR WCB)    |
| 2    | DIVERTER       | BRONZE (OPTIONAL: IRON OR ST STEEL) |
| 3    | BASKET SCREENS | STAINLESS STEEL                     |
| 4    | SEALS          | NITRILE (-30F TO 250F)              |

Non-Shock Working Pressure  
Water, Oil, Gas: 275psi @100F

### DIMENSIONS & WEIGHT

| SIZE (in) | A (in) | B (in) | C (in) | D (in)  | E (in)  | F (in) | G (in)   | H (in) | WT (lbs) |
|-----------|--------|--------|--------|---------|---------|--------|----------|--------|----------|
| 3-4       | 4-3/4  | 4-1/8  | 5-7/8  | 10-5/8  | 6-11/16 | 6-7/8  | 8-11/16  | 1/2    | 35       |
| 1         | 4-3/4  | 4-1/8  | 5-7/8  | 10-5/8  | 6-11/16 | 6-7/8  | 8-11/16  | 1/2    | 35       |
| 1-1/4     | 5-3/8  | 5-3/8  | 6-7/8  | 11-3/16 | 7-1/4   | 6-7/8  | 12       | 1/2    | 51       |
| 1-1/2     | 5-3/8  | 5-3/4  | 6-7/8  | 11-3/16 | 7-1/4   | 6-7/8  | 12       | 1/2    | 51       |
| 2         | 7-1/4  | 6-1/8  | 8-3/4  | 16-3/4  | 11      | 8-1/4  | 13-13/16 | 1/2    | 132      |
| 2-1/2     | 7-1/4  | 6-1/8  | 8-3/4  | 16-3/4  | 11      | 8-1/4  | 13-13/16 | 1/2    | 132      |

CERTIFIED DIMENSIONAL SHEETS AVAILABLE

### PRESSURE DROP MULTIPLIER FROM CLOGGING

Use separate chart to obtain unclogged pressure drop. Chart at right determines appropriate pressure drop multiplier for clogged screens.

Example: a 50% clogged screen would use a multiplier of 2.

